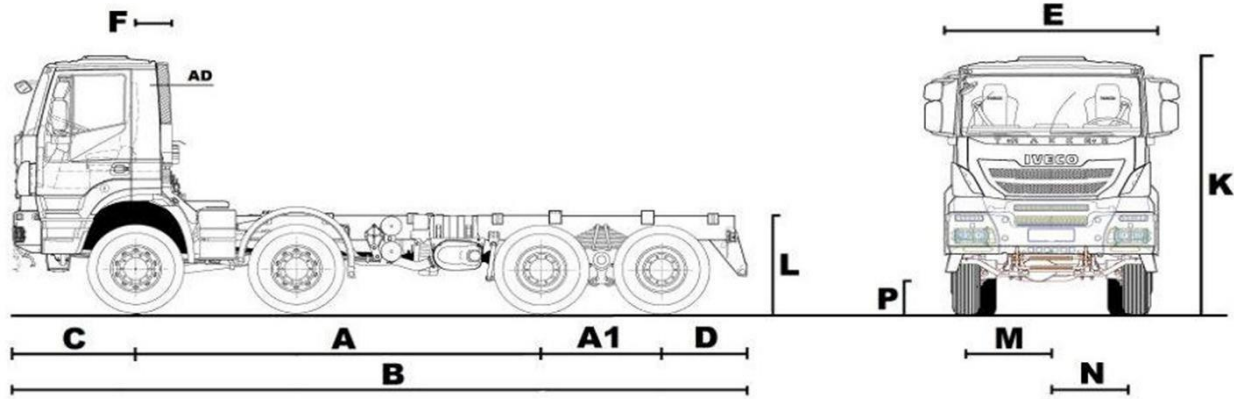


IVECO TRAKKER

AD 410T44 WH

Rigid 8x8



WEIGHTS (kg.)	G.V.W.	G.C.W.	Front axle	Rear axle
Design weights (std.)	41.000	70.000	16.000	26.000
Design weights (opt.)	44.000	100.000*	18.000	26.000

* Irregular towing operations (max. gradient 7%)

KERBWEIGHTS (kg.) cab / wb.	short	4.750	5.020
Front axle		7.715	7.730
Rear axle		4.245	4.260
Total		11.960	11.990
PAYLOAD (kg.) @ G.V.W.		29.040	29.010

DIMENSIONS (mm)			
A	Wheelbase	4.750	5.020
A1	Tandem	1.400	1.400
B	Overall length (over bumpers)	8.582	8.852
C	Front overhang	1.440	1.440
D	Rear overhang	855	855
E	Cab width	2.550	2.550
	Back of cab to end of frame	6.552	6.827
F	Cab gap	585 (760)	585 (760)
	(with vertical exhaust muffler)		
K	Cab height (unladen)	3.334	3.334
L	Frame height at rear frame end	1.256	1.256
	Frame thickness	10	10
	Turning circle (wall to wall)	10.875	11.300
M	Front track	2.040	2.040
N	Rear track	1.827	1.827
P	Ground clearance (front)	337	337
	Ground clearance (rear)	310	310

TYRES & WHEELS	Tyre code	Mission	Tyre dimensions		Wheel dimensions	
			Front	Rear	Front	Rear
Standard	20079	C	13 R 22,5	13 R 22,5	22.5x9.00	22.5x9.00
Option	20790	C	315/80 R 22,5	315/80 R 22,5	22.5x9.00	22.5x9.00
Option	20885	D	385/65 R 22,5	315/80 R 22,5	22.5x11.75	22.5x9.00

Tyre mission code: B = regional; C = all use; D = mix/off road

NOTE: Weights are to standard specification and include water, oils, tool box, jack and 75 kg. driver. Kerb weights are subject to a manufacturing tolerance of +/- 5%. Automated gearbox reduces -45 kg.

Cursor 13 - 440 HP

IVECO TRAKKER AD 410T44 WH

ENGINE	Iveco Cursor 13
Turbocharger	VGT
Cylinders in line	6
Bore (mm)	135
Stroke (mm)	150
Capacity (litres)	12,88
Max power (HP/kW)	440/324
@ rpm	1450-1900
Max torque (Nm/mKg)	2100/214
@ rpm	900-1470
E.E.C. emissions regulation	Euro 3 (Euro 2 option)
Cooling fan	2 speed electro-magnetic
Fuel system	Unit pump injector
Speed limiter	90kmh
Cruise control	Standard
Air admission / Filter type	Rear cab snorkel / dry - Horizontal

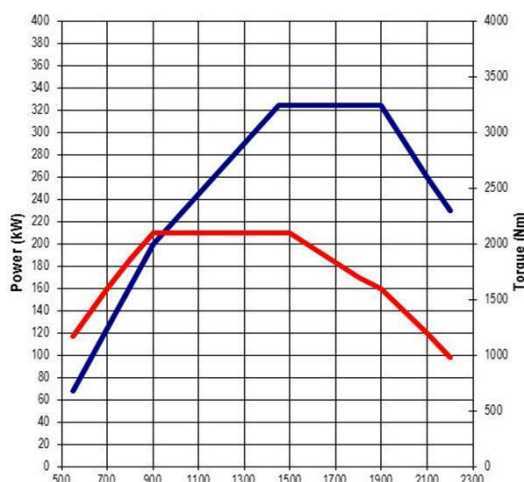
GEARBOXES	EUROTRONIC		MECHANICAL	
	16AS2630 TO		16S2220 TO	
Ratios	13,07	10,8	12,92	10,8
1st	14,12		13,80	
2nd	11,68		11,54	
3rd	9,54		9,49	
4th	7,89		7,93	
5th	6,52		6,53	
6th	5,39		5,46	
7th	4,57		4,57	
8th	3,78		3,82	
9th	3,09		3,02	
10th	2,56		2,53	
11th	2,09		2,08	
12th	1,73		1,74	
13th	1,43		1,43	
14th	1,18		1,20	
15th	1,00		1,00	
16th	0,83		0,84	

PERFORMANCE	(with standard tyres)			
Type: ZF 16 AS 2630 TO				
Axle ratios available	5,01	4,67	5,56	6,09
Geared speed (km/h)	94	101	85	77
Gradeability % @ 41 t G.V.W.	64	58	75	87
Gradeability % @ 70 t G.C.W.	33	31	38	42
Type: ZF 16 S 2220 TO				
Axle ratios available	4,67	4,23	5,01	5,56
Geared speed (km/h)	100	110	93	84
Gradeability % @ 41 t G.V.W.	57	50	62	73
Gradeability % @ 70 t G.C.W.	30	27	33	37

CLUTCH	
Type	Single plate, diaphragm spring, pull type.
Diameter (mm)	(17") 430 mm

TRANSFER BOX	TC 2200, Gb independent, carter in aluminium,
Ratio	On road: 1/1 – Off Road: 1/1,6.
Inter axle split	Front 20% - Rear 80%

BRAKES	
Type	2 independent pneumatic circuits
Service	A.B.S. + E.B.L. on rear
Front axle	Duo-duplex drums. Dia.:410x180mm Friction area: 2884 cm ²
Rear axle	Duo-duplex drums. Dia.:410x200mm Friction area: 3220 cm ²
Parking	Mechanical with spring cylinder, rear.
Emergency	Combined with parking brake.
Air reservoirs	6 x 20 litres, steel
Engine – Iveco Turbo Brake	Decompression. Power: 306kW @ 2400 rpm
Air compressor	352cc – single cylinder
Heated air dryer	Air Processing Unit
Trailer connections as option	7+7 pin plug as alternative 15 pin



ELECTRICS

Tension	24v negative earth return
Alternator	28v, 90A
Starter	24v, 5.5kW
Batteries	2 x 12v, 170Ah
Circuits protected	By fuse
System	Multiplex - CAN line data bus

SUSPENSIONS

Front	Parabolic leaf
Rear	Semielliptic leaf
Anti roll bar	1st front & 1st rear
Shock absorbers	4 on front

STEERING

Type ZF 8098	Power assisted
Steering wheel diameter	470 mm

AXLES

Steering and drive with single wheels	Iveco 5985/2D. Banjo.
Drive with twin wheels	Iveco 453291.Tandem. Hub reduction.
Differential lock	Cross and inter axle.
Rear axle ratio	See Performances.

FUEL TANK

Type and capacity	300lt., steel with lockable fuel cap.
-------------------	---------------------------------------

CAB INTERIOR

Active Day

Interior incorporating, air suspended 3-way adjustable driver's seat, inertia reel belt. Passenger seat 2 way adjustable with inertia reel belt. Soft feel dashboard with multi-functional steering wheel incorporating touch button menu controls for the real time digital dash display. Dual scale speedometer. All gauge functions monitored using international symbols. Heater. Left and right hand entry assist handles. Pneumatic adjustable steering column, 2 column mounted control stalks, left stalk operating the indicators, main beam, windscreen wash wipe, (if provided) right stalk operating Eurotronic 2 gear change, engine brake, cruise control and variable speed limiter. If provided, left of the steering column is the dash mounted Eurotronic gearbox controls for automatic and semi-automatic modes, neutral, reverse and low speed manoeuvring mode (forward and reverse). Overhead console for CB radio. Courtesy and map reading lights. Electronic PTO switch and in cab preparation. Fabric trim cab interior. Bottle holder & storage and writing pad.

CAB EXTERIOR

Active Day

Forward control cab. Galvanised pressed steel construction, with SMC for vulnerable parts. Helical spring suspension and dampers. Hydraulic cab tilt to 60 deg. Tinted electric door windows and tinted laminated screen. Manual rear-view mirrors plus kerb and wideangle mirrors, according to 2003/97/EC. Blind rear cab panel. Steel front bumper.

CHASSIS

Type	Ladder construction. Pressed steel side members and riveted and bolted cross members.
Side member length (mm)	309
Flange width (mm)	80