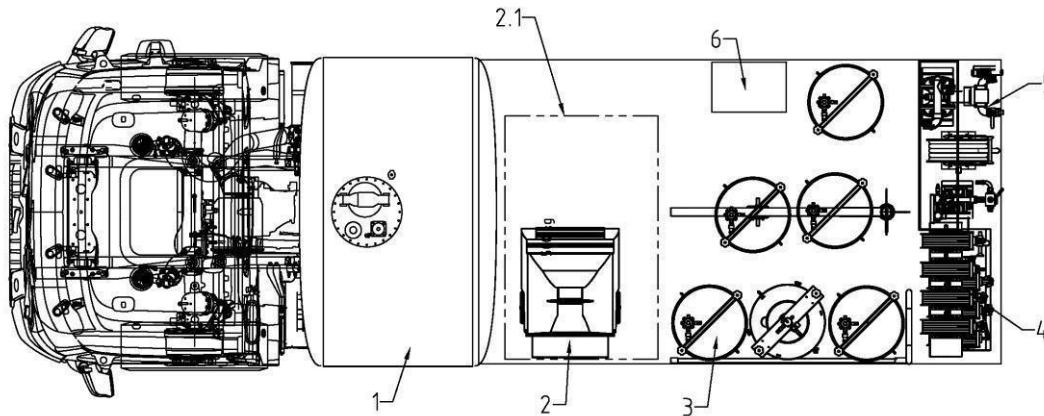
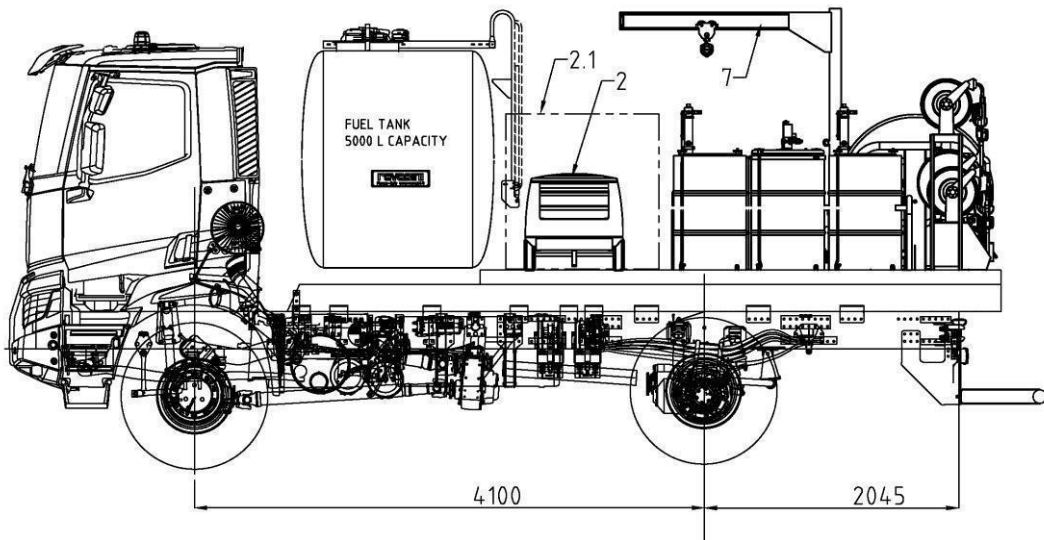


**SUBJECT:** lubricating and greasing equipment with fuel tank, installed on your RENAULT KERAX 330.21 4x4, 4100 wheelbase, with double tyres 13R22,5



- 1 FUEL TANK 5000 L
- 2 COMPRESSOR POWERED BY GASOLINE ENGINE (KAISER M17)
- 2.1 - OPTIONAL - COMPRESSOR POWERED BY DIESEL ENGINE (ATLAS KAS38Kd)
- 3 OIL, GREASE AND COOLING LIQUID DRUMS
- 4 HOSE REELS
- 5 FUEL AND COOLING LIQUID PUMPING UNITS
- 6 CABINET
- 7 JIB CRANE

## **FUEL TANK**

n.1 fuel tank 5.000l capacity in steel sheet, rear cab fitted, complete with loading port, level indicator and supporting saddles

- diaphragm pump, air-operated, 220 l/1' capacity
- litre counter with partial and total measuring, 150 l/1' capacity
- n.1 automatic hose reel for fuel delivery. The hose reel is fitted with a suitable 15 m of 1'' rubber hose. A delivery gun is fitted on the end of the hose

## **PLATFORM AND EQUIPMENT**

### **Dimensions:**

- length 4200 mm approx.
- width 2450 mm approx.

Supporting structure in tubular profiles and cold bent steel sheet electrically welded to a sub frame in channel steel, bolted to the main beams of the vehicle chassis.

The floor of the platform is covered in chequered steel plate, thickness 3+2 mm.

### **The following equipment are installed on the platform:**

- bonneted engine-driven compressor brand KAESER M17, air capacity 1000 l/1' at 15 bar pressure coupled to gasoline motor HONDA G 630, Kw 15,5
- n.1 air tank, cylindrical 100 l capacity fitted with safety valve, air intake tap, graduated pressure gauge

### **n.1 series of hose reels as follows:**

- n.4 hose reel for oil delivery with automatic rewinding by means of a spring device, block system, and supporting frame for guide rollers.

The hose reel is fitted with a suitable 15 m of ½'' rubber hose. A delivery gun with litre counter is fitted on the end of the hose

- n.1 hose reel for grease delivery with automatic rewinding by means of a spring device, block system, and supporting frame for guide rollers. The hose reel is fitted with a suitable 15 m of ¼'' rubber hose. A delivery gun is fitted on the end of the hose

n.1 hose reel for cooling liquid delivery in stainless steel, with automatic rewinding by means of a spring device, block system, and supporting frame for guide rollers. The hose reel is fitted with a suitable 15 m of rubber hose.

A delivery gun is fitted on the end of the hose

- n.1 hose reel for air delivery with automatic rewinding by means of a spring device, block system, and supporting frame for guide rollers. The hose reel is fitted with a suitable 15 m of ½" rubber hose  
A quick joint is installed on the end of the winder, where the following delivery guns can be connected:
  - blowing gun
  - spraying gun for air-diesel or air-water washing
  - tyre inflating gun with pressure gauge

All the hose reels are installed one besides the other. The delivery guns at the end of the hoses are placed into a suitable collecting tray.

On the platform there are 6 seats (4 oil+1 grease+1 cooling liquid) for positioning standard 180 kg drums complete with the necessary fittings for quick and secure fixing of the drums. A cover and a follower plate are supplied for the use of the grease drum

## **For delivery of oil, grease and cooling liquid, we supply the following pumps:**

- n.4 air operated pump for oil suitable for fitting to 180 kg drum, ratio 5:1, complete with quick joints for air intake and oil delivery, free flow max. capacity 18l/1'
- n.1 air operated pump for grease suitable for fitting to 180 kg drum, ratio 50:1, complete with quick joints for air intake and grease delivery, free flow max. capacity 1500 gr/1'
- n.1 air operated pump in stainless steel for cooling liquid suitable for fitting to 180 kg drum, complete with quick joints for air intake and cooling liquid delivery, max. capacity 30l/1'

Pneumatic equipment, water system and hydraulic equipment: for the feeding of the various services, with piping connecting compressor, air tank, and pumps, suitable for fluids, and relative working pressures; dehumidifying filter and reducer for the pressure adjustment, whenever it's necessary.

**The following equipment are also comprised:**

- n.1 jib crane with rotating boom for drums lifting, with central column swivelling on bearing, beam and manual chain hoist with sliding trolley having capacity 500 kg
- n.1 lockable case for containing tools and accessories
- n.1 lockable cabinet for filters
- n.1 fire extinguisher capacity 9 kg
- n.2 Jerricans in steel sheet capacity 20l for fluids in general
- Mud guards for rear wheels.
- Spare wheel holder

External painting in the colour requested

**SPARE PARTS:**

- n.1 kit of spare parts for first maintenance of engine driven compressor
- n.1 kit of spare parts for first maintenance of air operated oil pump
- n.1 kit of spare parts for first maintenance of air operated grease pump
- n.1 kit of spare parts for first maintenance of air operated cooling liquid pump n.1 oil gun
- n.1 grease gun