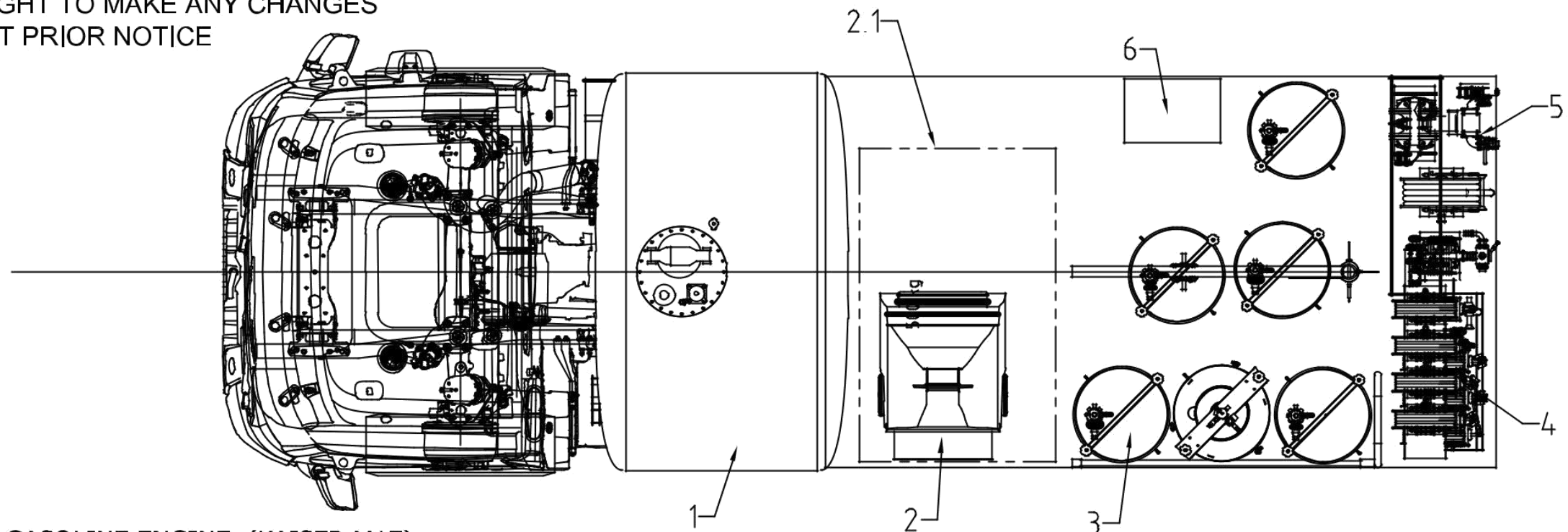


TECHNICAL DATA AND DISPOSITION SHOWN IN THIS DRAWING
 ARE ONLY TO BE TAKEN AS INDICATIONS.
 WE RESERVE THE RIGHT TO MAKE ANY CHANGES
 WITHOUT PRIOR NOTICE



- 1 FUEL TANK 5000 L
- 2 COMPRESSOR POWERED BY GASOLINE ENGINE (KAISER M17)
- 2.1 - OPTIONAL - COMPRESSOR POWERED BY DIESEL ENGINE (ATLAS KAS38Kd)
- 3 OIL, GREASE AND COOLING LIQUID DRUMS
- 4 HOSE REELS
- 5 FUEL AND COOLING LIQUID PUMPING UNITS
- 6 CABINET
- 7 JIB CRANE

<small>Titolo</small> LUBRICATING AND GREASING UNIT WITH FUEL TANK 5000 L CAPACITY installed on RENAULT KERAX 330.21 WHEELBASE 4100			
	<small>Dis.</small> rb	<small>Data</small> 03/07/2018	<small>OFF.</small> 218108REV1 001 E