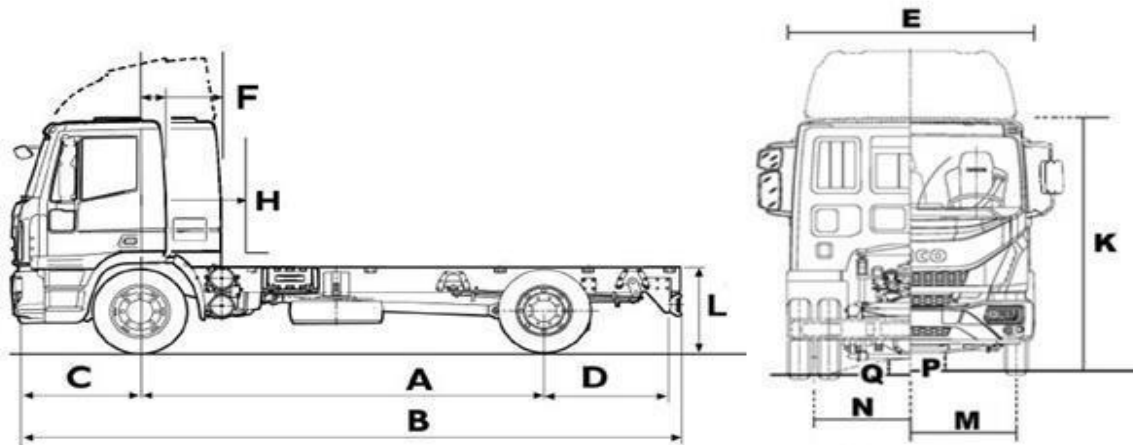


## IVECO

### EURO CARGO

#### ML 180E28 Euro III

#### Rigid 4x2



WEIGHTS (kg.)	G.V.W.	G.C.W.	Front axle	Rear axle
Design weights (std.)	18000	21500	7100	11500
Design weights (opt.)	18000	32500*	7100	12600

\* Only with gearbox 9S1110 TO

KERBWEIGHTS (kg.) cab / wb.	short	3690*	4185	4590	4815	5175	5670	6210	6570
Front axle		3405	3465	3475	3505	3530	3570	3605	3690
Rear axle		1850	1855	1855	1890	1915	2000	2025	2125
Total		5255	5320	5330	5395	5445	5570	5630	5815
PAYLOAD (kg.) @ G.V.W.		12745	12680	12670	12605	12555	12430	12370	12185

\* Not available with long cab

DIMENSIONS (mm)		3690	4185	4590	4815	5175	5670	6210	6570
A	Wheelbase	3690	4185	4590	4815	5175	5670	6210	6570
B	Overall length (over bumpers)	6269	6944	7686	8114	8744	9361	9891	10801
C	Front overhang	1352	1352	1352	1352	1352	1362	1352	1362
D	Rear overhang	1133	1313	1650	1853	2123	2235	2235	2775
E	Cab width	2495	2495	2495	2495	2495	2470	2495	2470
F	End of cab	short	265	265	265	265	2540	265	2540
		long		845	845	845	385		385
H	Cab gap	short	120	120	120	120	965	120	965
		long		965	965	965	7985		9425
	Recommended body length	short	4400	5100	5700	6100	6600	7325	7600
		long		4200	4800	5100	5600	2838	2836
K	Cab height (unladen)	2835	2835	2835	2835	2835	1084	2835	1083
L	Frame height at rear frame end	1080	1081	1083	1084	1085	7,7*	1085	7,7*
	Frame thickness	6	6,7	7,7	7,7	7,7		7,7	
	Turning circle (wall to wall)	14390	15900	17130	17810	18910	20420	22110	23210
M	Front track	1970	1970	1970	1970	1970	1985	1970	1985
N	Rear track	1815	1815	1815	1815	1815	1820	1815	1820
P	Ground clearance (front)	232	232	232	232	232	232	232	232
	Ground clearance (rear)	179	179	179	179	179	179	179	179

TYRES & WHEELS	Tyre code	Mission	Tyre dimensions	
			Front	Rear
Standard	20498	C	295/80 R 22,5	295/80 R 22,5
Option	20231	C	315/80 R 22,5	315/80 R 22,5
Option	20757	B	12 R 22,5	12 R 22,5

Tyre mission code: B = regional; C = all use; D = mix/off road

NOTE: Weights are to standard specification and include water, oils, tool box, jack. Kerb weights are subject to a manufacturing tolerance of +/- 5%.

## IVECO EURO CARGO ML 180E28 Euro III

### ENGINE

Turbocharger  
Cylinders in line  
Bore (mm)  
Stroke (mm)  
Capacity (litres)  
Max power (HP/kW)  
@ rpm  
Max torque (Nm)  
@ rpm  
Engine Brake Power  
Governor  
Cooling fan  
Fuel system  
Speed limiter

### IVECO TECTOR

Turbocharged and intercooled  
6  
102  
120  
5,88  
275/202  
2700  
930  
1200 - 2100  
150 kW @ 2700 rpm  
All speeds  
Viscostatic  
Common rail - Bosch  
90kmh

### GEARBOXES

	MEC. 9 SPEED	MEC. 6 SPEED	ALLISO
Ratios	ZF 9S1110 TO	ZF 6S1000 TO	N S
1st	9,48	6,75	3,49
2nd	6,58	3,60	1,86
3rd	4,68	2,12	1,41
4th	3,48	1,39	1,00
5th	2,62	1,00	0,75
6th	1,89	0,78	
7th	1,35		
8th	1,00		
9th	0,75		
Rev	8,97	6,06	5,03

### PERFORMANCE

#### Type: ZF 9S1110 TO

	4,89	4,56	5,13	5,63
Axle ratios available	141	151	134	122
Geared speed (km/h)	42	39	44	50
Gradeability % @ 18 t G.V.W.				

#### Type: ALL. S 3000

	4,89	4,56	5,63	6,14	6,43
Axle ratios available	141	151	122	112	107
Geared speed (km/h)	\	\	\	\	\
Gradeability % @ 18 t G.V.W.					

#### Type: ZF 6S 1000 TO

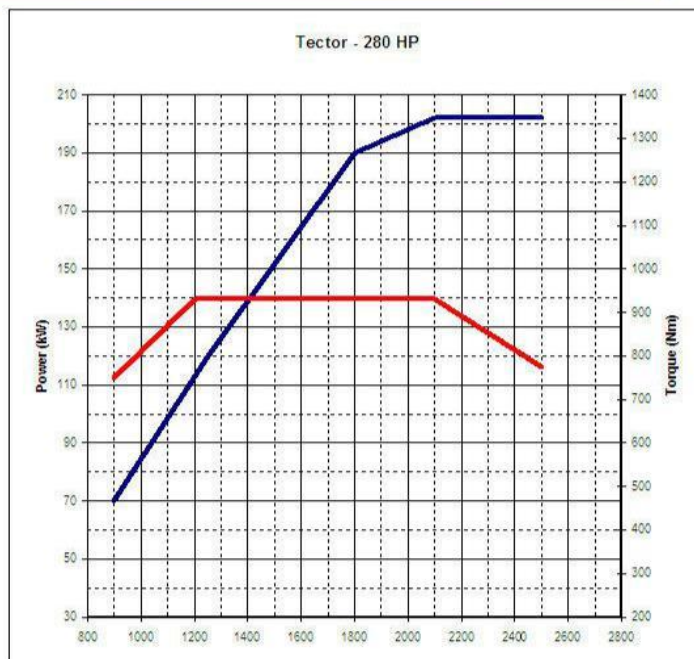
	4,89	4,56	5,13	5,63	6,14
Axle ratios available	\	\	\	\	\
Geared speed (km/h)	\	\	\	\	\
Gradeability % @ 18 t G.V.W.					

### CLUTCH

Type Single plate, diaphragm spring, pull type.  
Diameter (mm) 15" (380 mm)  
Asbestos free.

### BRAKES

Type 2 independent pneumatic circuits  
Service A.B.S. + E.B.L.  
Front axle Discs. 432 mm diameter  
Friction area front 1632 cm<sup>2</sup>  
Rear axle Discs. 432 mm diameter  
Friction area rear 1632 cm<sup>2</sup>  
Parking Mechanical with spring cylinder, rear.  
Emergency Combined with parking brake.  
Air reservoirs 2 x 20 litres, steel  
Engine brake Standard exhaust brake  
Air compressor 360 cc - single cylinder  
Air dryer Air Processing Unit



### ELECTRICS

Tension 24v negative earth return  
Alternator 28v, 70A  
Starter 24v, 4 kW  
Batteries 2 x 12v, 120Ah  
Circuits protected By fuse  
System Multiplex - CAN line data bus

### SUSPENSIONS

Front Parabolic  
Rear Parabolic  
Anti roll bar Front & rear  
Shock absorbers 2 on front, 2 on rear

### STEERING

Type Power assisted

### AXLES

Front Iveco 5871/5. Rigid.  
Rear MS 13-165. Single reduction.  
Differential lock Cross axle available as option.

### FUEL TANK

Type and capacity 200lt. with lockable fuel cap.

### CAB INTERIOR

#### Day cab

Forward control cab. Fabric three way adjustable driver seat, dual fixed passenger seat. Overhead lockers with doors, Windowless rear wall with document net. Glove box. Four speed fan. All gauges monitored using international symbols. Fully adjustable steering column. Column mounted control stalks. Overhead console for radio and CB. Courtesy and map reading lights.

#### Sleeper cab

As per day cab plus: a lower bunk, storage box under bunk, reading light and bed module for controlling cab lights, electric windows, roof hatch.

### CAB EXTERIOR

#### Day and sleeper cab

Pressed steel construction with SMC for vulnerable parts. Suspension: helical springs and dampers. Hydraulic manual tilt to 60 degrees. Rear view mirrors according to CEE 88/321.

### CHASSIS

Ladder construction. Pressed steel side members and riveted and bolted cross members.

Wheelbases (mm)	Height (mm) x width (mm)
3690	274,5 x 80
4185	275,9 x 80
4590 - 6210	277,9 x 80