

## **NW4S 32 SHP KC SL68 – STEEL HP BODIED 4 AXLES TIPPER FOR BULK TRUCKING WITH REAR FLAP**

NEW HP Bodied 4-axles Semi-Trailer tipper 32m3

Wielton type: NW4S 32 SHP KC SL68

### TECHNICAL DESCRIPTION

#### Frame

- steel structure made of S700 steel

#### Chassis

- 4 drum axles SAF, CUSTOM DESIGN, technical axle load up to 9 000 kg,
- Pneumatic suspension, valve H-S, first lifting axle  
Opti-turn on first axle
- semi-trailer upper coupling plate with a 2 inch king pin, (additional 3.5' king pin inside the tool box)
- double range landing legs, JOST
- side protection in compliance with ECE,
- rear steel bumper in compliance with ECE

#### Brake system

- Wabco
- meets ECE regulation,
- automatic break regulation
- anti-lock braking system ABS/EBS in compliance with ADR

#### Loading platform (box)

- loading platform (box) made of HB 450 steel o floor thickness 4,5 mm o side walls thickness 4,5 mm
- platform on the front with LHS entrance
- rear closing flap ,
- side posts welded externally in the middle of the body,
- hydraulic cylinder HYVA A191 without a check valve installed at the front of the semi-trailer,
- side folded canvas cover LHS to RHS  
beam strengthening sidewalls

## Electric installation Aspock

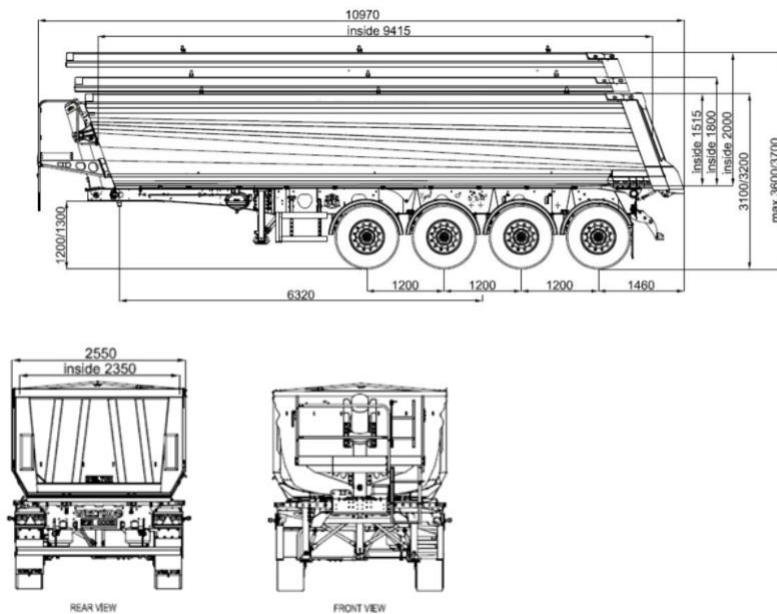
- 24 v meets ECE and ADR requirements:
- rear combined lamps including reversing light, fog light, direction indicator and reflective triangle,
- license plate lights,
- contour lights,
- side lights,
- reflective plates,
- 2 socket and ABS/EBS socket on the plate in the front of the trailer without connections

## Tires

- steel rims (8 pieces)
- tires 385/65 R 22,5 (8 pieces)
- spare wheel

## Additional parts

- 2 wedges with fixing ,
- 8 solid mudguards, rear mudguard with splash guards ,
- spare wheel winch
- manometer
- water container



KING PIN PREASURE – 18 T

AXLE PREASURE – 9 T

GROSS VEHICLE WEIGHT – 54 T

OWN WEIGHT- approx. 8.4 T (+/-3%)