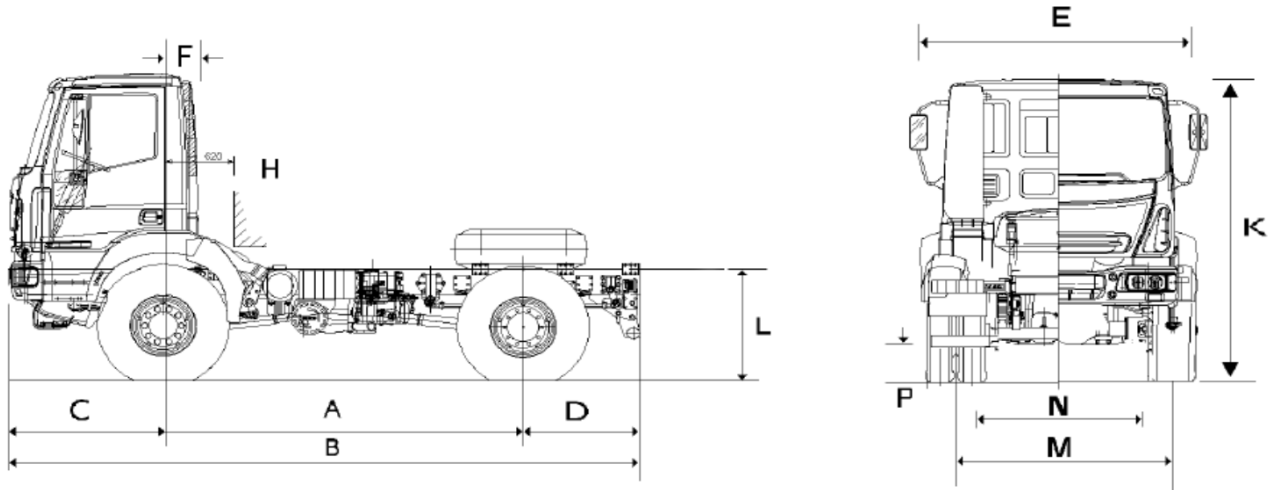


EURO CARGO

ML 110E22W

Rigid 4x4



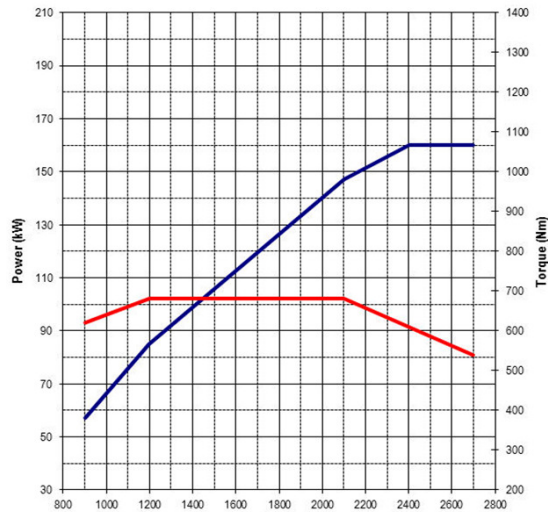
WEIGHTS (kg.)		G.V.W.	G.C.W.	Front axle	Rear axle
Design weights (std.)		11500	15000	5200	7100
KERBWEIGHTS (kg.) cab / wb.		3240*	3690	3915	4150
Front axle	short	3605	3645	3650	3660
Rear axle		1805	1790	1835	1910
Total		5410	5435	5485	5570
PAYLOAD (kg.) @ G.V.W.		6090	6065	6015	5930
* Not available with long cab					
DIMENSIONS (mm)		A	B	C	D
A	Wheelbase	3240	3690	3915	4150
B	Overall length (over bumpers)	5990	6440	6665	7477
C	Front overhang	1387	1387	1387	1387
D	Rear overhang	1358	1358	1358	1935
E	Cab width	2490	2490	2490	2490
F	End of cab	210	210	210	210
H	Cab gap	short	640	640	640
		long	985	985	985
	Recommended body length	short	4250	4750	4950
		long	4400	4600	5400
K	Cab height (unladen)	2987	2986	2986	2986
L	Frame height at rear frame end	1193	1191	1187	1192
	Frame thickness	6	6	6	6
	Turning circle (wall to wall)	14040	15540	16300	17080
	Front track	1955	1955	1955	1955
	Rear track	1850	1850	1850	1850
P	Ground clearance (front)	321	321	321	321
	Ground clearance (rear)	321	321	321	321
TYRES & WHEELS		Tyre code		Mission	
Standard		20164		C	
				Tyre dimensions	
				Front	Rear
				10 R 22,5	10 R 22,5

Tyre mission code: B = regional; C = all use; D = mix/off road

ML 110E22W

ENGINE

Turbocharger	IVECO TECTOR
Cylinders in line	Turbocharged and intercooled
Bore (mm)	6
Stroke (mm)	102
Capacity (litres)	120
Max power (HP/kW)	5,88
@ rpm	220/162
Max torque (Nm)	2700
@ rpm	680
E.E.C. emissions regulation	1200 - 2100
Governor	Euro 3
Cooling fan	All speeds
Fuel system	Viscostatic
Speed limiter	Common rail - Bosch
	90kmh



GEARBOXES

Ratios	MEC. 6 SPEED		MEC. 6 SP + PTO	
	ZF 6S800		ZF 6S1005 TO	
1st	6,58		6,75	
2nd	3,60		3,60	
3rd	2,12		2,12	
4th	1,39		1,39	
5th	1,00		1,00	
6th	0,78		0,78	
7th				
8th				
9th				
Rev	6,06		8,65	

ELECTRICS

Tension	24v negative earth return
Alternator	28v, 70A
Starter	24v, 4 kW
Batteries	2 x 12v, 110Ah
Circuits protected	By fuse
System	Multiplex - CAN line data bus

SUSPENSIONS

Front	Parabolic
Rear	Parabolic
Anti roll bar	Front & rear
Shock absorbers	2 on front, 2 on rear

PERFORMANCE

(with standard tyres)

Type: ZF 6S800

Axle ratios available	5,72	5,326	6,34	6,95	7,73
Geared speed (km/h)	113	121	102	93	84
Gradeability % @ 11,5 t G.V.W	39	36	44	50	57

Type: ZF 6S1005 TO + PTO

Axle ratios available	5,72	5,326	6,34	6,95	7,73
Geared speed (km/h)	117	126	106	97	87
Gradeability % @ 11,5 t G.V.W	62	56	72	84	100

STEERING

Type	Power assisted
------	----------------

AXLES

Front	Iveco 5956. Rigid.
Rear	Iveco 451146/1. Hub reduction.
Differential lock	Cross axle available as option.

FUEL TANK

Type and capacity	90lt. with lockable fuel cap.
-------------------	-------------------------------

CLUTCH

Type	Single plate, diaphragm spring, pull type.
Diameter	14" (350 mm)
	Asbestos free.

BRAKES

Type	2 independent pneumatic circuits
Service	A.B.S. + E.B.L.
Front axle	Drums: 325 mm diameter x 140 mm width
Friction area front	2928 cm ²
Rear axle	Drums: 325 mm diameter x 140 mm width
Friction area rear	2928 cm ²
Parking	Mechanical with spring cylinder, rear.
Emergency	Combined with parking brake.
Air reservoirs	2 x 15 litres, steel
Engine brake	Standard exhaust brake
Air compressor	225 cc - single cylinder
Air dryer	Air Processing Unit

TRANSFER BOX

Type	TC 850 - gearbox independent.
Ratio	On road: 1/0,99 - Off Road: 1/1,94.
Torque distribution	Front 33% - Rear 67%

CAB INTERIOR

Day cab

Forward control cab. Fabric three way adjustable driver seat, dual fixed passenger seat. Overhead lockers with doors, Windowless rear wall with document net. Glove box. Four speed fan, air flow 500 m³/hr, 10 Kw. All gauges monitored using international symbols. Electronic tachograph for two drivers.. Fully adjustable steering column. Column mounted control stalks. Overhead console for radio and CB. Courtesy and map reading lights.

Sleeper cab

As per day cab plus: a lower bunk, storage box under bunk, reading light and bed module for controlling cab lights, electric windows, roof hatch.

CAB EXTERIOR

Day and sleeper cab

Pressed steel construction with SMC for vulnerable parts. Suspension: helical springs and dampers. Hydraulic manual tilt to 60 degrees. Rear view mirrors according to CEE 88/321.

CHASSIS

Ladder construction. Pressed steel side members and riveted and bolted cross members.

Wheelbases (mm)
3240 - 4150

Height (mm) x width (mm)
252 x 70