

IVECO

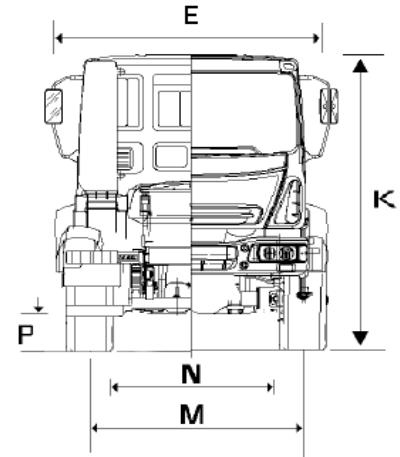
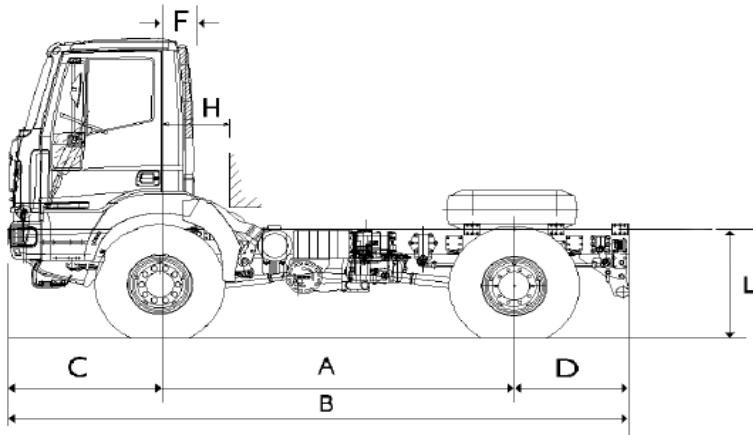
EUROCARGO

ML 140E24WS



October 2009

Rigid 4x4



WEIGHTS (kg.)	G.V.W.	G.C.W.	Front axle	Rear axle
Design weights (std.)	14000	17500	5200	9500
Design weights (opt.)	14000	17500	5200	9500

KERBWEIGHTS (kg.) cab / wb.	short	3240*	3690	3915
Front axle		3665	3680	3680
Rear axle		1760	1805	1855
Total		5425	5485	5535
PAYLOAD (kg.) @ G.V.W.		8575	8515	8465

* Not available with long cab

DIMENSIONS (mm)		3240*	3690	3915
A	Wheelbase	3240	3690	3915
B	Overall length (over bumpers)	5675	6440	6665
C	Front overhang	1387	1387	1387
D	Rear overhang	1043	1358	1358
E	Cab width	2490	2490	2490
F	End of cab	210	210	210
H	Cab gap	short	790	790
		long	620	620
	Recommended body length	short	965	965
		long	3700	4500
K	Cab height (unladen)	3005	4150	4350
L	Frame height at rear frame end	1324	1328	1324
	Frame thickness	6	6	6
	Turning circle (wall to wall)	14660	16240	17030
	Front track	1945	1945	1945
	Rear track	1850	1850	1850
	Ground clearance (front)	419	419	419
	Ground clearance (rear)	419	419	419

TYRES & WHEELS	Tyre code	Mission	Tyre dimensions	
			Front	Rear
Standard	20169	D Tube & flap	14 R 20	14 R 20
Option	20168	D Tubeless	14 R 20	14 R 20
Option	20115	D	395/85 R 20	395/85 R 20

Tyre mission code: B = regional; C = all use; D = mix/off road

NOTE: Weights are to standard specification and include water, oils, tool box, jack. Kerb weights are subject to a manufacturing tolerance of +/- 5%.



ML 140E24WS

ENGINE

IVECO TECTOR F4AE0681B*C	
Turbocharger	Turbocharged and intercooled
Cylinders in line	6
Bore (mm)	102
Stroke (mm)	120
Capacity (litres)	5,88
Max power (HP/kW)	240/176
@ rpm	2700
Max torque (Nm)	810
@ rpm	1200 - 2100
E.E.C. emissions regulation	Euro 3 (Euro 2 option)
Governor	All speeds
Cooling fan	Viscodynamic
Fuel system	Common rail - Bosch
Speed limiter	90kmh

GEARBOXES

	MEC. 6 SPEED
	FSO 5206B
Ratios	
1st	6,08
2nd	3,53
3rd	2,09
4th	1,35
5th	1,00
6th	0,79
7th	
8th	
9th	
Rev	5,43

PERFORMANCE

(with standard tyres)

Type: FSO 5206B					
Axle ratios available	6,95	5,72	6,34	7,72	8,28
Geared speed (km/h)	111	135	122	100	94
Gradeability % @ 14 t G.V.W.	35	28	32	40	43

CLUTCH

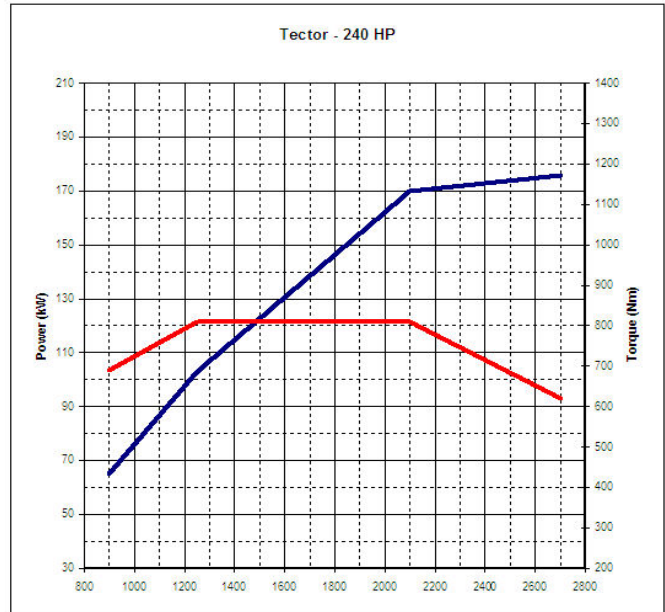
Type	Single plate, diaphragm spring, pull type.
Diameter (mm)	15" (380 mm) Asbestos free.

BRAKES

Type	2 independent pneumatic circuits
Service	A.B.S. + E.B.L.
Front axle	Drums: 381 mm diameter x 178 mm width
Friction area front	2800 cm ²
Rear axle	Drums: 381 mm diameter x 178 mm width
Friction area rear	2800 cm ²
Parking	Mechanical with spring cylinder, rear.
Emergency	Combined with parking brake.
Air reservoirs	2 x 20 litres, steel
Engine brake	Standard exhaust brake
Air compressor	225 cc - single cylinder
Air dryer	Air Processing Unit

TRANSFER BOX

Type	TC 700 - gearbox independent.
Ratio	On road: 1/0,95 - Off Road: 1/1,62.
Torque distribution	Front 33% - Rear 67%



ELECTRICS

Tension	24v negative earth return
Alternator	28v, 70A
Starter	24v, 4 kW
Batteries	2 x 12v, 110Ah
Circuits protected	By fuse
System	Multiplex - CAN line data bus

SUSPENSIONS

Front	Parabolic
Rear	Parabolic
Anti roll bar	Front & rear
Shock absorbers	2 on front, 2 on rear

STEERING

Type	Power assisted
------	----------------

AXLES

Front	Iveco 5956. Rigid.
Rear	Iveco 451146/1. Hub reduction.
Differential lock	Cross axle available as option.

FUEL TANK

Type and capacity	115lt. with lockable fuel cap.
-------------------	--------------------------------

CAB INTERIOR

Day cab
Forward control cab. Fabric three way adjustable driver seat, dual fixed passenger seat. Overhead lockers with doors, Windowless rear wall with document net. Glove box. Four speed fan, air flow 500 m³/hr, 10 Kw. All gauges monitored using international symbols. Electronic tachograph for two drivers,. Fully adjustable steering column. Column mounted control stalks. Overhead console for radio and CB. Courtesy and map reading lights.

Sleeper cab

As per day cab plus: a lower bunk, storage box under bunk, reading light and bed module for controlling cab lights, electric windows, roof hatch.

CAB EXTERIOR

Day and sleeper cab
Pressed steel construction with SMC for vulnerable parts. Suspension: helical springs and dampers. Hydraulic manual tilt to 60 degrees. Rear view mirrors according to CEE 88/321.

CHASSIS

Ladder construction. Pressed steel side members and riveted and bolted cross members.

Wheelbases (mm)
3240 - 3915

Height (mm) x width (mm)
252 x 70