



pk trucks holland

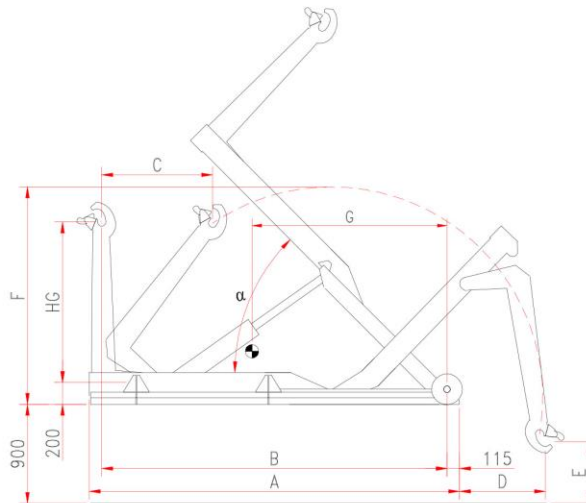
Showroom: Graanweg 2 (M200)
4782 PP Moerdijk
The Netherlands

Tel. : +31 168 382 032
Fax : +31 168 382 023
E-mail: pktrucks@pktrucks.com



COMPANY
WITH QUALITY SYSTEM
CERTIFIED BY DNV
=ISO 9001/2000=

HOOKLIFT « LIFT 6 high arm »



Model	HG	A	B	C	D	E	F	G	Weight	a	Container	min.	max.
LIFT 6 C	1.430/1.570	3.165	2.950	1.000	975	590	1.980	1.750	920 kg	52°		3.200	3.500
LIFT 6 N	1.430/1.570	3.365	3.150	1.000	775	590	1.980	1.800	950 kg	46°		3.300	3.800
LIFT 6 L	1.430/1.570	3.565	3.350	1.000	575	590	1.980	1.850	980 kg	42°		3.500	4.000
LIFT 6 XL	1.430/1.570	3.765	3.550	1.000	835	400	2.190	1.910	1.070 kg	52°		3.800	4.300
LIFT 6 XXL	1.430/1.570	3.965	3.750	1.000	635	400	2.190	1.960	1.100 kg	47°	4.000	4.500	

The technical details shown in this sheet are indicative and can be changed by the builder without prior notice.

www.pktrucks.com