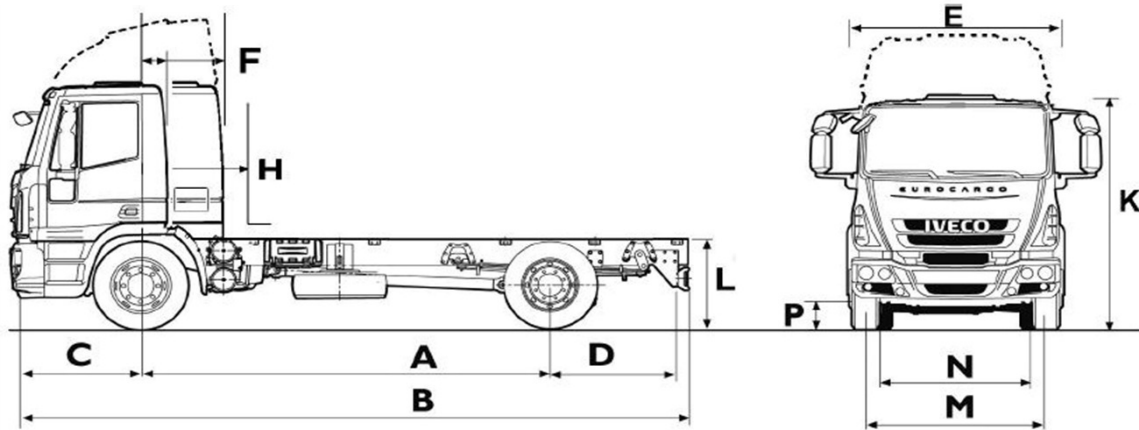


EUROCARGO

ML 150E22H

Rigid 4x2



WEIGHTS (kg.)	G.V.W.	G.C.W.	Front axle	Rear axle
Design weights (std.)	15000	18500	5400	10900
Design weights (opt.)	15000	28000*	5400	10900

* Only with 9 speed gearbox, towing version, crossmember and hook

KERBWEIGHTS (kg.) cab / wb.	short	3105*	3690	4185	4590	4815	5175
Front axle		3295	3305	3325	3355	3370	3395
Rear axle		1850	1890	1905	1940	1955	1960
Total		5145	5195	5230	5295	5325	5355
PAYLOAD (kg.) @ G.V.W.		9855	9805	9770	9705	9675	9645

* Not available with long cab

DIMENSIONS (mm)		3105	3690	4185	4590	4815	5175	
A	Wheelbase	3105	3690	4185	4590	4815	5175	
B	Overall length (over bumpers)	5684	6269	6944	7686	8114	8744	
C	Front overhang	1352	1352	1352	1352	1352	1352	
D	Rear overhang	1133	1133	1313	1650	1853	2123	
E	Cab width	2495	2495	2495	2495	2495	2495	
F	End of cab	265	265	265	265	265	265	
H	Cab gap	short	385	385	385	385	385	
		long		965	965	965	965	965
	Recommended body length	short	3900	4400	5100	5700	6100	6600
		long		3860	4200	4800	5100	5600
K	Cab height (unladen)	2869	2869	2868	2867	2867	2866	
L	Frame height at rear frame end	1166	1160	1161	1164	1166	1168	
	Frame thickness	6	6	7,7	7,7	7,7	7,7	
	Turning circle (wall to wall)	12540	14320	15820	17060	17740	18840	
M	Front track	2025	2025	2025	2025	2025	2025	
N	Rear track	1850	1850	1850	1850	1850	1850	
P	Ground clearance (front)	306	306	306	306	306	306	
	Ground clearance (rear)	338	338	338	338	338	338	

TYRES & WHEELS	Tyre code	Mission	Tyre dimensions	
			Front	Rear
Standard	20213	C	10 R 20	10 R 20
Option	20370	C	11 R 22,5	11 R 22,5
Option	20359	C	11 R 20	11 R 20

Tyre mission code: B = regional; C = all use; D = mix/off road

IVECO

ML 150E22H

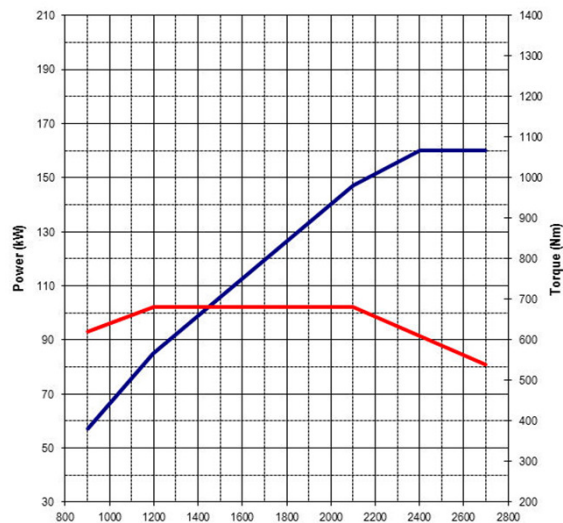
ENGINE

Turbocharger
Cylinders in line
Bore (mm)
Stroke (mm)
Capacity (litres)
Max power (HP/kW)
@ rpm
Max torque (Nm)
@ rpm
E.E.C. emissions regulation
Governor
Cooling fan
Fuel system
Speed limiter

IVECO TECTOR

Turbocharged and intercooled
6
102
120
5,88
220/162
2700
680
1200 - 2100
Euro 3
All speeds
Viscodynamic
Common rail - Bosch
90kmh

Tector - 220 HP



GEARBOXES

Ratios	MEC. 6 SPEED		MEC. 9 SPEED	
	ZF 6S700		ZF 9S-75TD	
1st	6,02		13,16	
2nd	3,32		8,91	
3rd	2,07		6,50	
4th	1,40		4,67	
5th	1,00		3,50	
6th	0,79		2,55	
7th			1,86	
8th			1,33	
9th			1,00	
Rev	5,58		11,74	

ELECTRICS

Tension
Alternator
Starter
Batteries
Circuits protected
System

24v negative earth return
28v, 70A
24v, 4 kW
2 x 12v, 110Ah
By fuse
Multiplex - CAN line data bus

SUSPENSIONS

Front
Rear
Anti roll bar
Shock absorbers

Semielliptic
Semielliptic
Front & rear
2 on front, 2 on rear

STEERING

Type
Power assisted

AXLES

Front
Rear
Differential lock

Iveco 5872. Rigid.
Iveco 451146. Hub reduction.
Cross axle available as option.

FUEL TANK

Type and capacity
180lt. with lockable fuel cap.

PERFORMANCE

(with standard tyres)

Type: ZF 6S700 TO

	6,95	4,82	5,72
Axle ratios available			
Geared speed (km/h)	97	140	118
Gradeability % @ 15 t G.V.W.	31	21	25

Type: ZF 9S-75 TD

	5,326	4,82	5,72
Axle ratios available			
Geared speed (km/h)	100	111	93
Gradeability % @ 15 t G.V.W.	57	50	62

CLUTCH

Type
Diameter

Single plate, diaphragm spring, pull type.
14" (350 mm)
Asbestos free.

BRAKES

Type
Service
Front axle
Friction area front
Rear axle
Friction area rear
Parking
Emergency
Air reservoirs
Engine brake
Air compressor
Air dryer

2 independent pneumatic circuits
A.B.S. + E.B.L.
Drums. 381 mm diam x 178 mm width
2800 cm2
Drums. 381 mm diam x 178 mm width
2800 cm2
Mechanical with spring cylinder, rear.
Combined with parking brake.
2 x 15 litres, steel
Standard exhaust brake
225 cc - single cylinder
Air Processing Unit

CAB INTERIOR

Day cab

Forward control cab. Fabric three way adjustable driver seat, dual fixed passenger seat. Overhead lockers with doors, Windowless rear wall with document net. Glove box. Four speed fan, air flow 500 m3/hr, 10 Kw. All gauges monitored using international symbols. Electronic tachograph for two drivers,. Fully adjustable steering column. Column mounted control stalks. Overhead console for radio and CB. Courtesy and map reading lights.

Sleeper cab

As per day cab plus: a lower bunk, storage box under bunk, reading light and bed module for controlling cab lights, electric windows, roof hatch.

CAB EXTERIOR

Day and sleeper cab

Pressed steel construction with SMC for vulnerable parts. Suspension: helical springs and dampers. Hydraulic manual tilt to 60 degrees. Rear view mirrors according to CEE 88/321.

CHASSIS

Ladder construction. Pressed steel side members and riveted and bolted cross members.

Wheelbases (mm)
3105 - 3690
4185 - 5175

Height (mm) x width (mm)
274,5 x 80
277,9 x 80